

# DIRECTLED PAR56-P-RGB

## FEATURES & SPECIFICATION SHEET



### Application

The PAR56-P-RGB series LED retrofit lamp is specifically designed to replace Halogen and MH lamps in existing light fixtures providing 90 percent in energy savings and is a one for one replacement. Suitable for Houses of Worship, Stages, Hotels, Pools, High Rises, Casinos, Banquet Halls, Fountains, Waterfalls, Ponds and more!

### Features

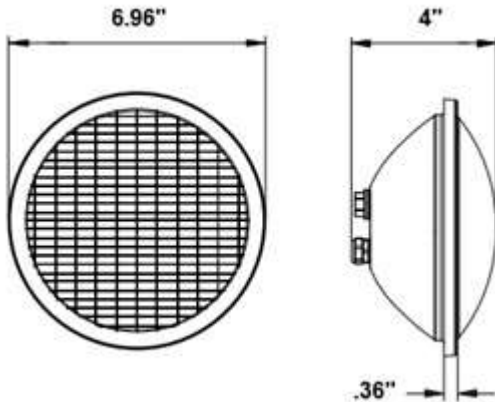
- Multiple Beam Angles
- Stainless Steel UV Resistant PC Cover
- RGB Synchronous Controller (Color Temps 3000K – 6000K)
- 1200Lm
- Designed for use in underwater fixtures

### LED PCB & Driver

A long lifecycle rating of 50,000 hours

### Warranty

The lamp is guaranteed for 3 years against manufacturing defects.



MODEL	VOLTS	WATTS	LUMENS	REPLACES (HPS MHL HID)
PAR56-P-RGB	12V	25w	1200	350w