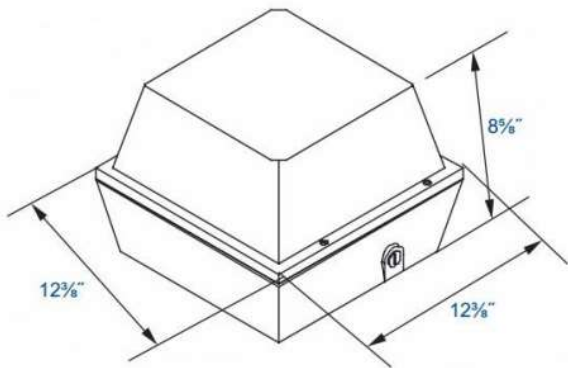




EcoLightingUSA

DIRECTLED – G2L LED Garage Fixture

FEATURES & SPECIFICATION SHEET



Application

The G2L series aluminum garage fixture is an ideal choice for replacement of common High Pressure Sodium and Metal Halide Garage fixtures. Its electronic ballast features a high >0.98 power factor for cool, efficient, flicker-free operation. Common applications include: service hallways, parking garages, loading docks, stairwells, utility closets, gas stations, shopping malls, even certain retail and wholesale applications.

Features

- 12" Vandal Resistant Garage Fixture
- Die Cast Aluminum Housing with Bronze Powder-coat finish
- Clear Prismatic Polycarbonate Lens
- UL 1598 listed for wet locations
- IP43 Rated

Performance

A long lifecycle rating of 50,000 hours

Warranty

Fixture guaranteed for 5 years against manufacturing defects.

MODEL	WATTS	VOLTS L = 120-277v H = 480v	*COLOR TEMP	LUMENS	DIMENSIONS (W x L)
G2L26	26w	L / H	5000k	3120lms	12.38" x 8.38"
G2L52	52w	L / H	5000k	6240lms	12.38" x 8.38"

(*Available Color Temp Range 3000k – 6500k (Warm to Cool) on request.)

EcoLightingUSA.com

Toll Free: (888) 326-9094 | Email: info@ecolightingusa.com | 217 Huyler Street, South Hackensack, NJ 07606