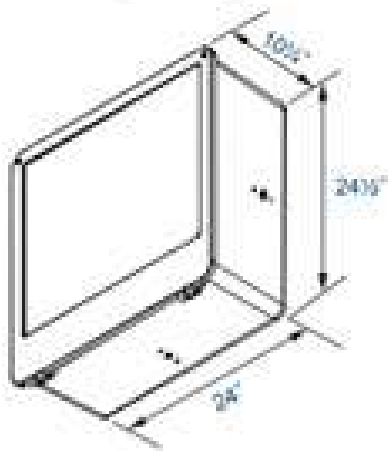


DIRECTLED – FLDS Induction Shoe Box Fixture

FEATURES & SPECIFICATION SHEET



Application

The FLDS series induction fixture is an ideal choice for replacement of common HPS and Metal Halide Area lighting fixtures. It has an electronic ballast that features a high >0.98 power factor for cool, efficient, flicker-free operation. Common applications include: Parks, shopping malls, outlets, plazas, city halls and historic areas.

Features

- 23-inch Vandal Resistant Flood / Area Fixture
- Die Cast Aluminum Housing & Hinged Top Frame
- Bronze powder-coat finish over a chromate conversion coating
- Tempered flat clear glass lens with smooth reflector
- UL 1598 listed for wet locations
- Instant start and re-strike

Lamp & Ballast

A long lifecycle rating of 100,000 hours

Warranty

Fixture guaranteed for 5 years against manufacturing defects.

MODEL	WATTS	*COLOR TEMP	VOLTS U = 120- 277v	RETROFIT WATTS	LUMENS	DIMENSIONS W x D x L
FLDS150	150w	5000k	U	300W	12000Lms	24" x 10.25" x 24.5"
FLDS200	200w	5000k	U	400W	16500Lms	24" x 10.25" x 24.5"
FLDS250	250w	5000k	U	500W	21750Lms	24" x 10.25" x 24.5"
FLDS300	300w	5000k	U	600W	26100Lms	24" x 10.25" x 24.5"
FLDS400	400w	5000k	U	1000W	34800Lms	24" x 10.25" x 24.5"