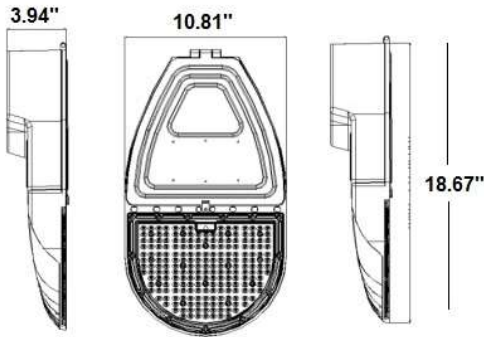




EcoLightingUSA

DIRECTLED RDL2 LED Street Light

FEATURES & SPECIFICATION SHEET



Application

The RDL2 series roadway fixture is an ideal choice for replacement of common HPS and Mercury Vapor cobra head fixtures. Its electronic ballast features a high >0.98 power factor for cool, efficient, flicker-free operation. Common applications include: general outdoor area lighting, boulevards, freeways, parkways, parking lots, and commercial security/flood applications. Type 3 distribution pattern with short cutoff.

Features

- 151 Lms/Watt
- Tempered Flat Clear Glass Lens with aluminum reflector
- Die Cast Aluminum Housing & Hinged Top Frame, Powder coat Finish over a Chromate Conversion Coating
- IP65 Rated
- UL/DLC Listed

Lamp & Ballast

A long lifetime rating of 75,000 hours or about 15 years operating hours 12 hours per 7 days per week. Power Supply features Class P rating, THD of less than 10%, constant output wattage, and fail-safe protection.

Warranty

Fixture guaranteed for 5 years against manufacturing defects.

MODEL	WATTS	COLOR TEMP	VOLTS L = 120-277v	LUMENS	DIMENSIONS
RDL2-100	100w	5000k	L	15100lm	See Diagram
RDL2-150	150w	5000k	L	22600lm	See Diagram

EcoLightingUSA.com

Toll Free: (888) 326-9094 | Email: info@ecolightingusa.com | 217 Huyler Street, South Hackensack, NJ 07606