

# INDUCTION - RL Series Lamps

## FEATURES & SPECIFICATION SHEET



### Application

The RL Series round-loop induction lamps are low frequency electrodeless discharge (LFED) units. They are an ideal choice for replacement of common HID, Incandescent, or fluorescent lamps with 50-70% reduction in energy usage.

### Features

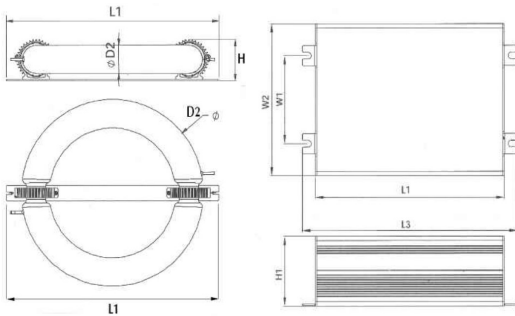
- Lamp envelope is constructed of a high-temp silicon glass and solid amalgam channel in a sealed unit.
- Dual external inductors at fixed points surrounding the envelope.
- UL\C-UL listed to US and Canadian safety standards for ambient operation from -40°F to 122°F (-40°C to 50°C)
- Standard 5000K CCT

### Performance

A long lifecycle rating of 100,000 hours or about 23 years operating hours 12 hours per day, 7 days per week. Electronic ballast features THD of less than 10%, constant output wattage, and fail-safe protection.

### Warranty

Guaranteed for 5 years against manufacturing defects.



Ballasts can be sold separately using these part #s:

BALLAST	L1	L3	W1	W2	H1
ECOBAL40UNV	4.37"	4.37"	4.76"	3.11"	1.22"
ECOBAL60UNV	4.37"	4.37"	4.76"	3.11"	1.22"
ECOBAL80UNV	7.04"	7.43"	1.61"	3.62"	1.96"
ECOBAL100UNV	7.04"	7.43"	1.61"	3.62"	1.96"
ECOBAL120UNV	7.04"	7.43"	1.61"	3.62"	1.96"
ECOBAL150UNV	7.04"	7.43"	1.61"	3.62"	1.96"
ECOBAL200UNV	7.04"	7.43"	1.61"	3.62"	1.96"
ECOBAL250UNV	7.04"	7.43"	1.61"	3.62"	1.96"
ECOBAL300UNV	7.04"	7.43"	1.61"	3.62"	1.96"
ECOBAL400UNV	7.04"	7.43"	1.61"	3.62"	1.96"

#### Ordering Information

RL200 - 5K

Model      Color

MODEL	WATTS	LUMENS	LM/W	VOLTS U = 120-277	CURRENT	PWR FACTOR	DIMENSIONS L1 / H / D2
RL40	40	3200	70-75	U	0.38 - 0.17	0.98	7.08" x 2.7" x 1.65"
RL60	60	4800	70-75	U	0.52 - 0.23	0.98	7.08" x 2.7" x 1.65"
RL80	80	6500	70-75	U	0.73 - 0.35	0.98	9.61" x 3.2" x 2.1"
RL100	100	8100	75-80	U	0.93 - 0.40	0.98	9.61" x 3.2" x 2.1"
RL120	120	9600	75-80	U	1.09 - 0.48	0.98	13.1" x 3.2" x 2.1"
RL150	150	12000	75-80	U	1.36 - 0.59	0.98	13.1" x 3.2" x 2.1"
RL200	200	16500	80-85	U	1.77 - 0.77	0.98	13.8" x 3.5" x 2.3"
RL250	250	21750	85-90	U	2.21 - 0.96	0.98	15.9" x 3.5" x 2.25"
RL300	300	26100	85-90	U	2.65 - 1.15	0.98	16.5" x 3.5" x 2.24"
RL400	400	34800	85-90	U	3.45 - 1.54	0.98	19" x 3.5" x 2.24"